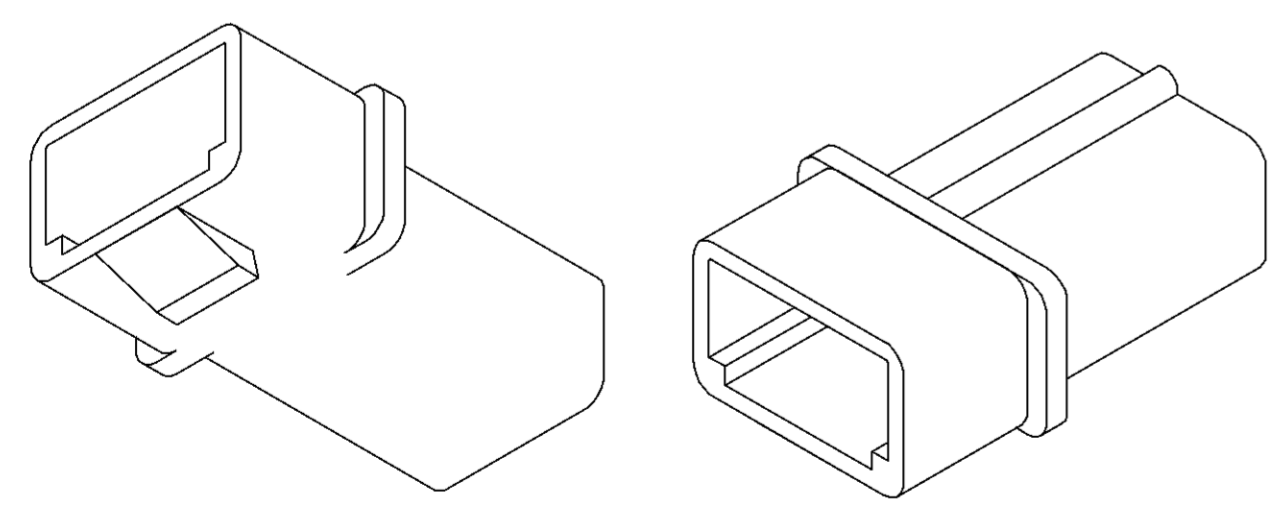
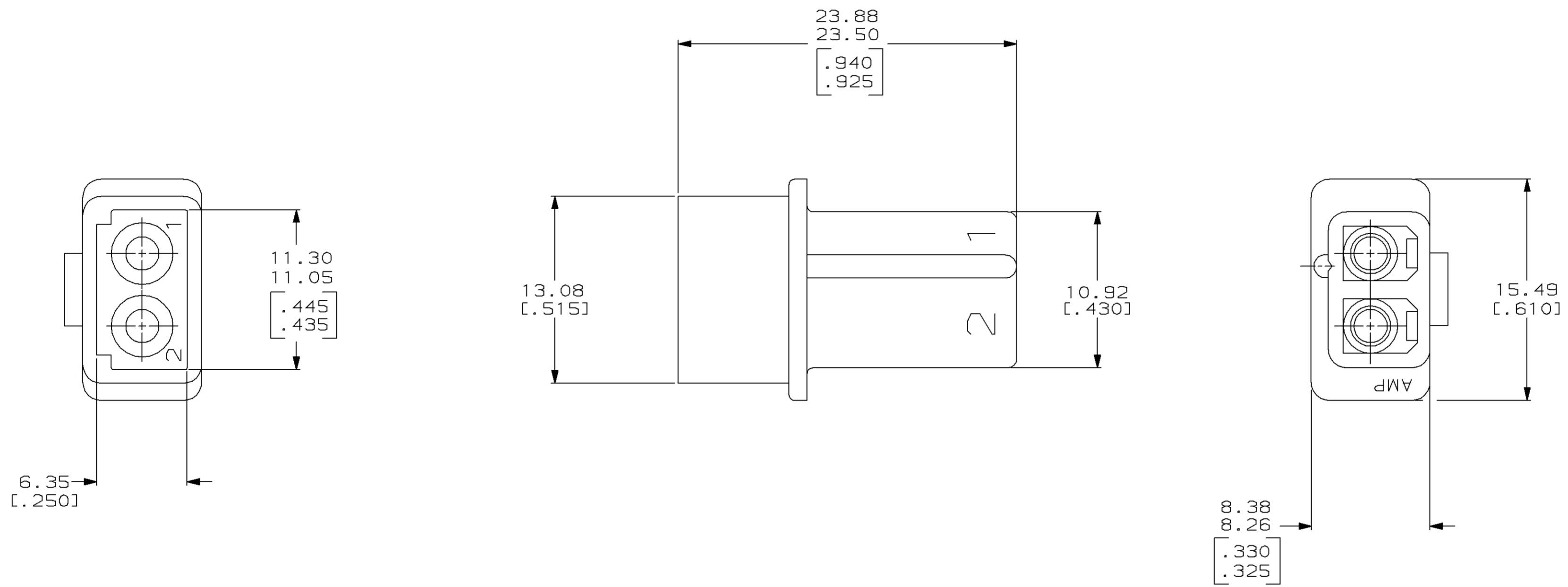
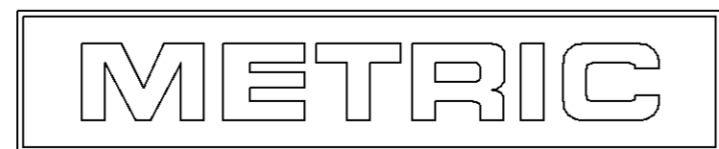


Loc		DIST		P		F		ZONE		LTR		REVISIONS		DATE	APPD
CM	53											0	RLSD PER PR CM 93-42	4-26-93	KS

1. THIS CAP TO BE USED WITH PLUG NO. 1-480720-0.
2. TO BE USED WITH APPROPRIATE COMMERCIAL MATE-N-LOK™ PINS.
3. DIMENSIONS IN BRACKETS ARE IN INCHES.



3-DIMENSIONAL MODELS
NTS



THIS DRAWING IS A CONTROLLED DOCUMENT FOR AMP INCORPORATED. IT IS SUBJECT TO CHANGE AND THE CONTROLLING ENGINEERING ORGANIZATION SHOULD BE CONTACTED FOR THE LATEST REVISION.

DO NOT SCALE PRINT. UNLESS SPECIFIED DIMENSIONS IN mm [INCHES] TOLERANCES ON : 2 PLC DEC ± 0.13 [.005] 3 PLC DEC ± - ANGLES ± -		DR 4-26-93 K. SALMON	AMP Incorporated Harrisburg, PA 17105-3608	
MATERIAL NYLON 94V-2		CHK 4-26-93 R. SWING		
FINISH -		APPD 4-26-93 G. BROWN	NAME CAP, POSITIVE LOCK, 2 CIRCUIT, COMMERCIAL MATE-N-LOK	
APPLICATION SPEC -		APPD 4-26-93 G. BROWN		
WEIGHT -		PRODUCT SPEC -	SIZE © 00779	DRAWING NO ©=794012
		APPLIC. SPEC -	SCALE 4:1	SHEET 1 OF 1

CUSTOMER DRAWING